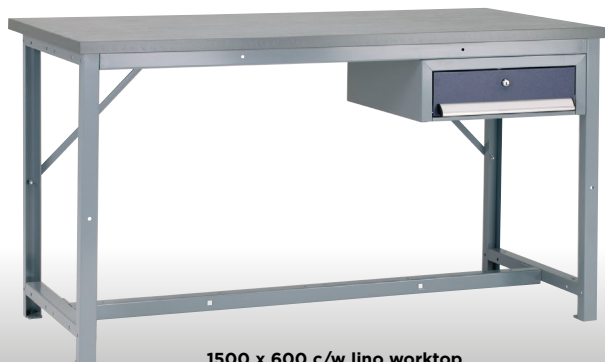


Workbench Range PREMIER 1

400kg UDL. Construction from fabricated steel section with welded leg supports and multi position cross rail.



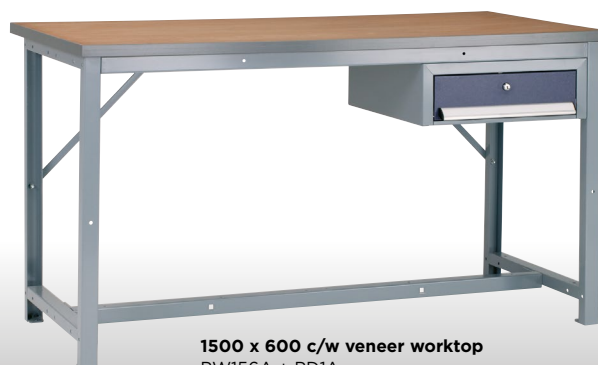
1500 x 600 c/w lino worktop
PW156B + PD1A



1500 x 600 c/w veneer worktop
PW156A + PW156BM



1500 x 600 c/w lino worktop
PW156B + PD2



1500 x 600 c/w veneer worktop
PW156A + PD1A



1500 x 600 c/w lino worktop
PW156B + PC4



1500 x 600 c/w veneer worktop
PW156A + PC1



1500 x 600 c/w lino worktop
PW156B + PC2



1500 x 600 c/w veneer worktop
PW156A + PD1A + PC1

Worktops

A = 25mm thick hardwood veneer top. 2mm veneer surface on composite core. Edge banded in 2mm thick grey plastic.

B = 25m thick industrial grey lino. 2mm lino surface on composite core. Edge banded in 2mm thick grey plastic.

C = 25mm thick plain cut MDF.

